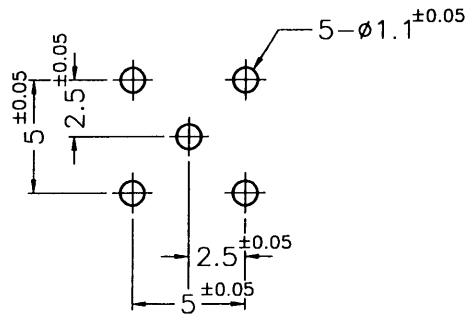


REVISIONS		
ISS	ZONE	DESCRIPTION\PER REQUEST\DATE
A1	E-2	ADDED PCB MOUNTING HOLE\N/A\07-01-02'
A2	A-1	NO.3'S MATERIAL WAS CHANGED\N/A\08-30-02'



PCB MOUNTING HOLE  
(印刷電路板架設孔)

TABLE

KEY CODING	DRAWING NO.	PART NO.	LOCK COVER
A	10061-A0	PSE-LP-PC-6-A0	10061-1-A0-B
B	10061-B1	PSE-LP-PC-6-B1	10061-1-B1-B
C	10061-C2	PSE-LP-PC-6-C2	10061-1-C2-B
D	10061-D3	PSE-LP-PC-6-D3	10061-1-D3-B
E	10061-E4	PSE-LP-PC-6-E4	10061-1-E4-B
F	10061-F5	PSE-LP-PC-6-F5	10061-1-F5-B

REMARK: AFTER NO.3 CRIMPED, THE FORCES 70N-5sec. PUSH-OUT FROM THE DIRECTION OF ARROWS, MEET THE DIMENSION  $2.26 \pm 0.12$  (BODY AND LOCK COVER) TO SATISFACTORY DEGREE.  
(零件3於5秒內需承受70N箭頭方向軸向力，並與零件4保持  $2.26 \pm 0.12$ )

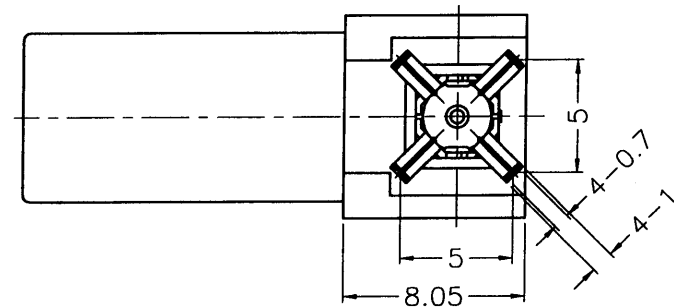
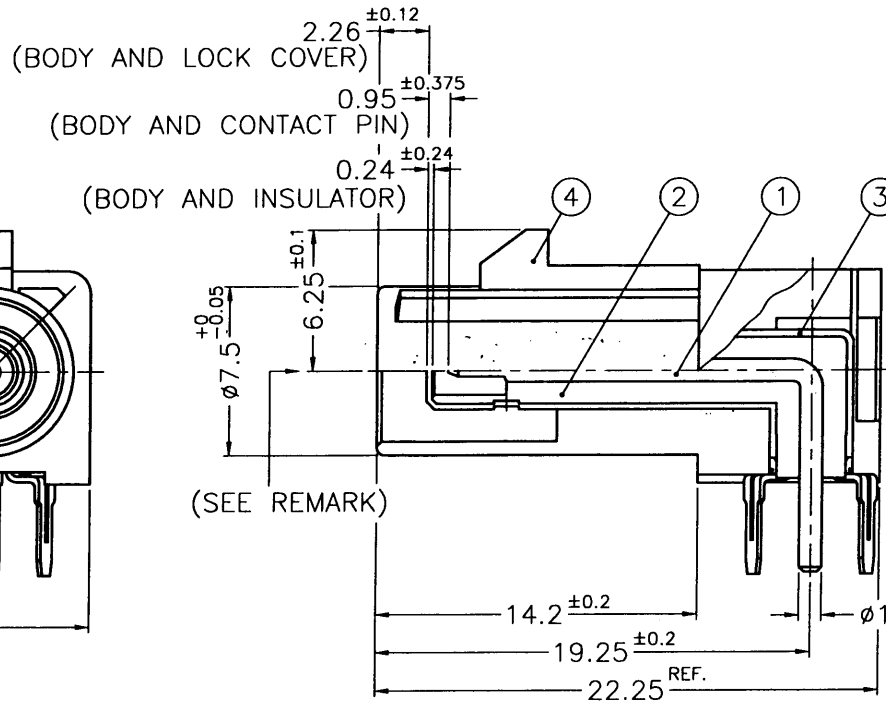
NOTES: FINISH (PLATING THICKNESS IN MICRO-INCHES)

1. BRASS PER QQ-B-626
2. NICKEL PL. 100 MIN. THICK OVER COPPER STRIKE
3. GOLD PL. 30 MIN. THICK OVER NICKEL PL. 100 MIN. THICK OVER COPPER STRIKE
4. PHOSPHOR BRONZE PER QQ-B-750

DIMENSIONS ARE IN MILLIMETERS  
UNLESS OTHERWISE SPECIFIED TOLERANCES

0.5-6	= ±0.2
6-30	= ±0.4
30-120	= ±0.6
120-315	= ±1
315-1000	= ±1.6
1000-2000	= ±2.4

NO.	DESCRIPTION	MATERIAL	FINISH	Q'TY	DRAWING NO.
4	LOCK COVER	POM(GF25%)		1	SEE TABLE
3	BODY	NOTE 4	NATURAL	1	10059-2-02
2	INSULATOR	PP	NATURAL	1	10058-5
1	CONTACT PIN	NOTE 1	NATURAL	1	10058-4



PART NO. PSE-LP-PC-6-XX			
APPROVED	<i>Loane</i>	DATE	08-30-02'
CHECKED	<i>Loane</i>	DATE	08-30-02'
DRAWN	<i>Jey</i>	DATE	08-30-02'
FILE NO.	F:\DWG\FK\10061\XX		

Amphenol - Kai Jack	
TAINAN TAIWAN	
TITLE	FAKRA R/A P.C. MOUNT PLUG
DRAWING NO.	10061-XX
ITEM NO.	10061-XX

7RD-DR / 153728